

Honeywell

FED.MFG.CODE 91929

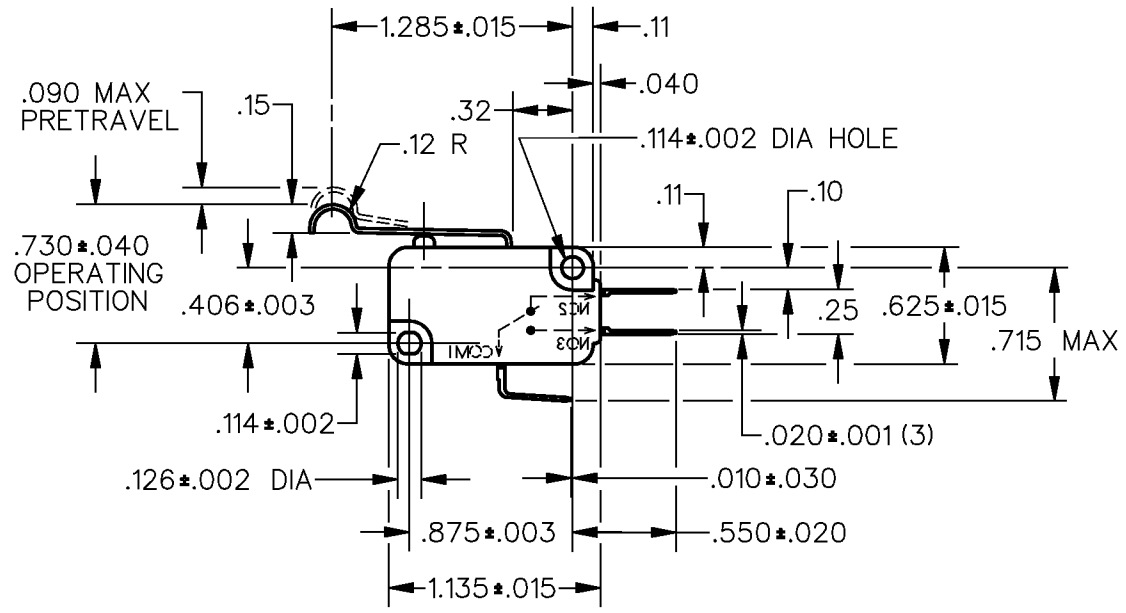
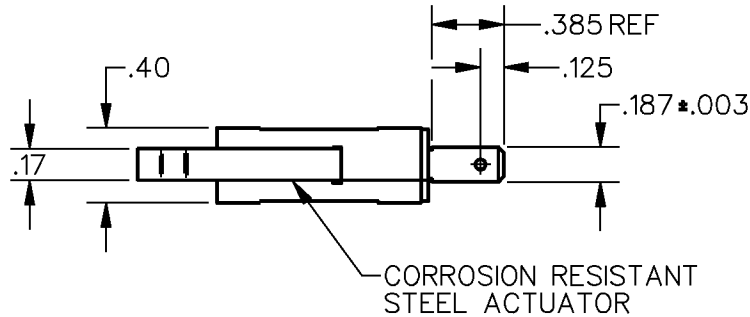
SWITCH-BASIC

CATALOG LISTING

V7-6C17D8-263

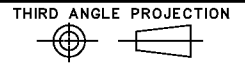
CW-C6023

CATALOG LISTING
V7-6C17D8-263
 PAGE 1 OF 1
 RELEASE NO. PR-17243
 REPLACES
 ISSUE **M**
8



REVISIONS	CHECK	DATE
A CO 66350 JAP 20 SEP 89	11JUL08	
B CO 69205 BAB 7 JAN 91		
C CO 70247 JAP 20 JUN 91	ASD	
D CO 76418 DCS 9 DEC 93	CHECK	
E OBS 79950 CSL 15 MAR 95	CHECK	
F RE-IN PR22394 DCS 6 SEP 96	CHECK	
G 0041190 PK 11JUL08	CHECK	

THIS DRAWING COVERS A PROPRIETARY ITEM AND IS THE PROPERTY OF HONEYWELL.
 THIS DRAWING IS NOT TO BE COPIED OR USED WITHOUT THE APPROVAL OF HONEYWELL.



CHARACTERISTICS	ELECTRICAL DATA	SCALE	DO NOT SCALE PRINT
OPERATING FORCE — — — — 8 OZ MAX	CONTACT ARRANGEMENT S P D T	-	
RELEASE FORCE — — — — 2 OZ MIN	L215		
DIFFERENTIAL TRAVEL — — — .065 MAX	15.1A 1/2HP 125, 250 OR 277 VAC		UNLESS OTHERWISE SPECIFIED TOLERANCES ARE
OVERTRAVEL — — — — .080 MIN	1/2A 125 VDC		ONE PLACE (.0) ±.030
RELEASE TRAVEL — — — — .015 MIN	1/4A 250 VDC; 5A 125 VAC "L"		TWO PLACE (.00) ±.015
			THREE PLACE (.000) ±.005
			ANGLES ±
			WEIGHT



RASTER
 DRAWN
 S D F 4 APR 89
 CHECK J A P 5 APR 89
 CHECK 11JUL08